

DASTEC S.R.L.

Distribuidores Autorizados

Buenos Aires, Argentina

Tel.: (54-11) 5352-2500

E-mail: info@dastecsrl.com.ar

Web: www.dastecsrl.com.ar



The Sensepoint range of flammable, toxic and Oxygen gas detectors offer users a high quality, low cost solution to their industrial gas monitoring needs.



Fit For Purpose

- Flammable, toxic and Oxygen versions available
- High performance, low cost
- Suitable for new and retro fit applications

Proven Sensor Technology

- Surecell™ electrochemical sensors
- Poison resistant catalytic bead
- Fast and reliable
- Typical 2 to 5 years operational life

ATEX/IECEx Certified

- Complies with the latest standards
- Hazardous area approval and performance
- IP65/67 for use in harsh environments

Easy to Use

- Factory set operation
- Simple to replace
- Minimal training required

Range of Accessories

- Weatherproof cap
- Flow adaptor
- Duct mounting kit
- Collecting cone

The Sensepoint range of flammable, toxic and Oxygen gas detectors offer users a high quality, low cost solution to their industrial gas monitoring needs. Installation in potentially explosive atmospheres is made by the use of a suitable Ex d or Ex e approved junction box. The industry standard outputs from Sensepoint are connected to either a choice of Honeywell Analytics' controllers or 3rd party DCS/ PLC systems. Both flammable and toxic versions are certified to the latest ATEX/ IECEx safety and performance standards.



The flammable detector is available in either % LEL or PPM detection range versions and provides an industry standard mV bridge output. Typical life expectancy is greater than 5 years, after which the detector is simply replaced with a new one.

The toxic detectors are supplied pre calibrated for easy installation and provide an industry standard 2 wire 4-20mA loop output. User connections are Ex d, while front end Intrinsic Safety (IS) design allows for easy exchange of the replaceable sensor while powered. IS design also removes the need for a sinter enabling very fast speed of response and detection of 'sticky' gases such as Chlorine and Ammonia.

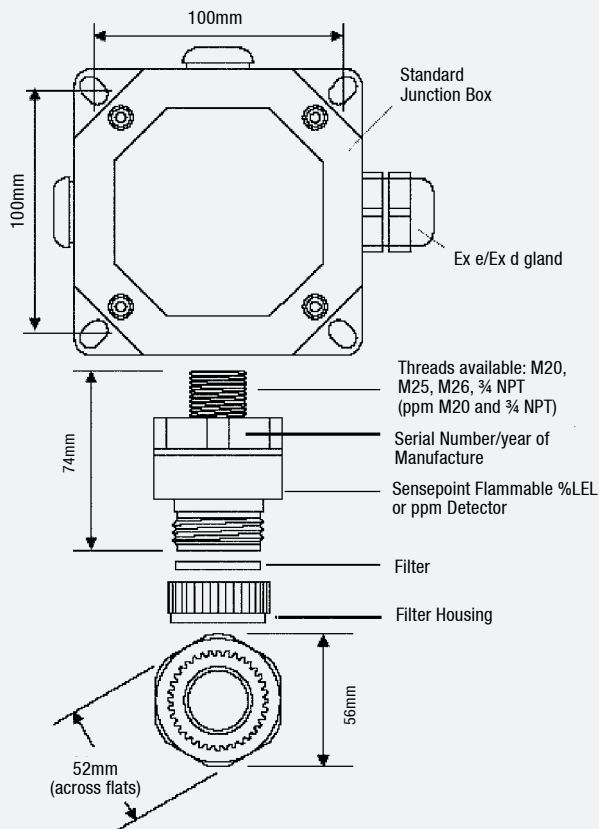
Sensepoint has proven its suitability across a wide range of demanding applications by delivering high performance and reliability at an affordable cost.

Installation Details

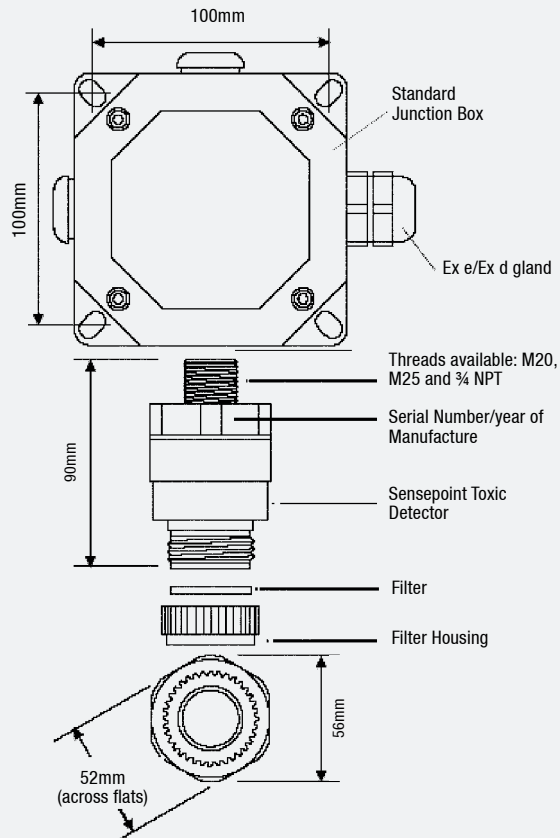


Dimensions

Flammable % LEL or PPM Version



Toxic or Oxygen Version



Sensepoint flammable and toxic gas detectors are installed using suitable Ex d or Ex e junction boxes. The standard junction box available from Honeywell Analytics includes an earth continuity plate for added RFI protection. The detectors have a choice of mounting thread size to match local preferences.

The Sensepoint range of flammable and toxic detectors are designed for use with a wide range of controllers available from Honeywell Analytics or with 3rd party control equipment accepting their industry standard output signals.

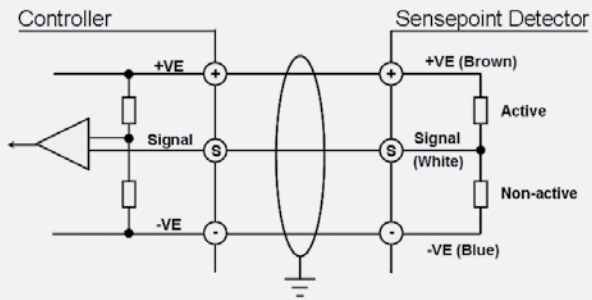
Installation Details



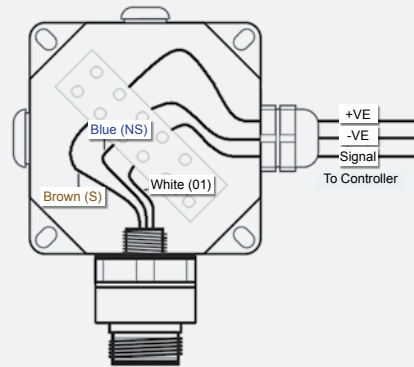
Electrical Connections

Typical Terminal Connections

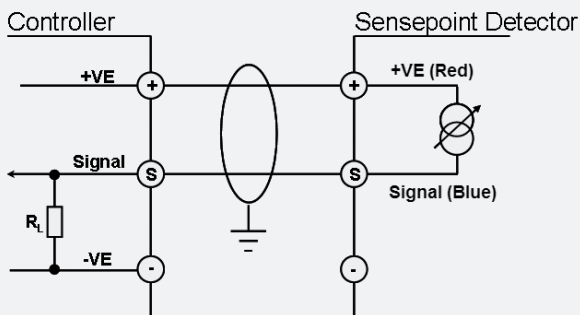
Flammable % LEL Version



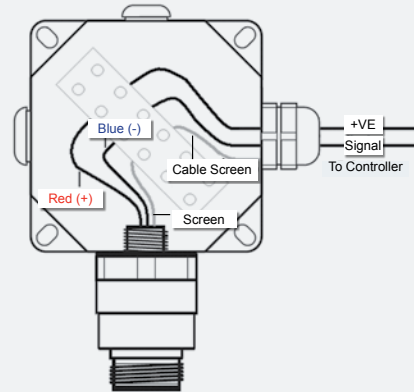
3 Wire mV Bridge Circuit



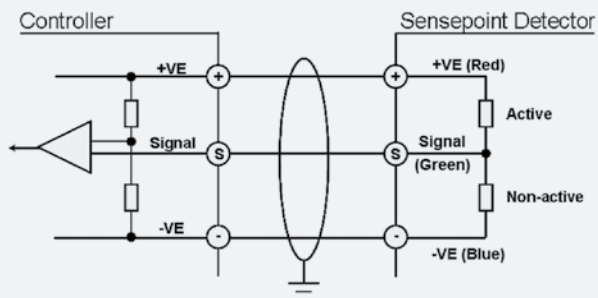
Toxic or Oxygen Version



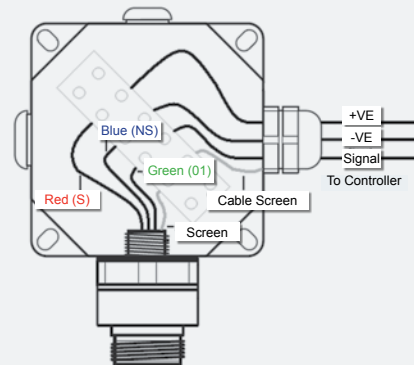
2 Wire 4-20mA (Sink)



Flammable PPM Version



3 Wire mV Bridge Circuit



Technical Specification



| Gas & Range | Flammable 0-100% LEL | Flammable PPM (Typically 0-10% LEL) | Hydrogen Sulphide (H ₂ S) 20/50/100ppm | Carbon Monoxide (CO) 100/200/500ppm | Ammonia (NH ₃) 50/1000ppm | Chlorine (Cl ₂) 5/15ppm | Oxygen (O ₂) 25% V / V | Hydrogen (H ₂) 1000/10000ppm | Sulfur Dioxide (SO ₂) 15/50ppm | Nitric Oxide (NO) 100ppm | Nitrogen Dioxide (NO ₂) 10ppm |
|--|--|-------------------------------------|--|-------------------------------------|---------------------------------------|-------------------------------------|------------------------------------|--|--|--------------------------|---|
| Operating Temp | -40 to +80°C ¹ | -30 to +65°C | -25 to +50°C | -20 to +50°C | -20 to +40°C | -20 to +50°C | -15 to +40°C | | | | |
| Operating Humidity | Continuous: 20 to 90% RH (non-condensing). Intermittent: 10 to 99% RH (non-condensing) | | | | | | | | | | |
| Storage Conditions | 0 to 25°C; 30 to 70% RH | | 0 to 25°C; 30 to 70% RH | | | | | | | | |
| Operating Pressure | 90 to 110kPa | | | | | | | | | | |
| Warm-up Time | < 10 minutes | < 20 minutes | < 3 minutes | | | < 5 minutes | | < 3 minutes | | 12 hours | 1 hour |
| Response Time | | | | | | | | | | | |
| T20 | | | < 6 secs | < 5 secs | – | < 10 secs | < 3 secs | – | – | < 3 secs | < 15 secs |
| T50 | < 5 secs | | < 15 secs | < 12 secs | < 10 secs | < 20 secs | < 5 secs | < 10 secs | < 10 secs | < 5 secs | < 30 secs |
| T90 | < 10 secs | | < 40 secs | < 30 secs | < 65 secs | < 105 secs | < 10 secs | < 45 secs | < 90 secs | < 30 secs | < 60 secs |
| Supply | 200mA; 0.7W maximum | | 18 to 30VDC; 0.9W maximum | | | | | | | | |
| Signal Output | mV bridge | | Loop powered 4-20mA | | | | | | | | |
| Linearity | < 5% fsd or ±10% of reading | | < 5% fsd | | | | | | | | |
| Operating Life | 5 years (typical) | | 2 years (typical) | | 18 months (typical) | | 1 year (typical) | 18 months (typical) | | | |
| Storage Life | Typically, over 5 years when in original sealed packaging | | 6 months. | | | | | | | | |
| Stability (zero) | | | | | | | | | | | |
| with time* | < ±3% fsd / yr | | < ±2% fsd / yr | | | | | | | | |
| with temperature** | < ±1% fsd ² | < ±3% fsd | < ±5% fsd | | < ±6% fsd | < ±2% fsd | | < ±2% fsd | < ±5% fsd | | |
| with humidity | < ±1% fsd | | < ±10% fsd | < ±2% fsd | < ±10% fsd | < ±2% fsd | | < ±2% fsd | < ±10% fsd | | |
| Stability (span) | | | | | | | | | | | |
| with time* | < ±3% fsd / yr | | < ±2% fsd / yr | < ±4% fsd / yr | < ±20% fsd / yr | < 10% fsd / yr | < ±20% fsd / yr | < ±2% fsd / yr | | | |
| with temperature*** | < ±3% fsd | < ±8% fsd | < ±25% fsd | < ±20% fsd | < ±20% fsd | < 40% fsd | < ±10% fsd | < ±60% fsd | < ±15% fsd | < ±25% fsd | |
| with humidity | < ±2% fsd | | < ±10% fsd | < ±2% fsd | < ±10% fsd | < ±2% fsd | < ±1% fsd | < ±2% fsd | < ±10% fsd | | |
| Weight | 190g | | 185g | | | | 205g | 185g | | | |
| Construc. Materials | Polyphenylene Sulphide (PPS) | | | | | | | | | | |
| I.P. (NEMA) Rating | IP65 (standard), IP67 (with weather protection fitted) | | | | | | | | | | |
| Certification Details (ATEX/ IECEx) | Ⓜ II 2 GD Ex d IIC Gb T85°C T _{amb} -40°C to +55°C Ⓜ II 2 GD Ex d IIC Gb T100°C T _{amb} -40°C to +70°C Ⓜ II 2 GD Ex d IIC Gb T135°C T _{amb} -40°C to +80°C Ⓜ tb IIIC A21 Db IP67 Baseefa08ATEX0265X IECEx BAS08.0068X | | Ⓜ II 2 GD Ex d ia IIC T4 Gb T _{amb} -40°C to +65°C Ⓜ tb IIIC A21 IP67 T135°C Db Baseefa08ATEX0263X IECEx BAS08.0070X | | | | | | | | |
| Other Certifications | Russian: GOST | | | | | | | | | | |
| Applicable Standards | This product complies with the relevant CE standards including: EMC to EN50270, Flammable sensor to EN60079-29-1 | | | | | | | | | | |

NOTES

¹ High temp range version available -55 to +150°C – See separate datasheet DS0303

² Over temp range -20 to +55°C

* = % of range (fsd) per year

** Over operating temperature range

*** = % of applied concentration

Ordering Information

Accessories

| | |
|--------------|---|
| 00780-A-0100 | Term Hsg – Bartec DE1155 With Continuity Plate 1 x 25mm – 3 x 20mm Entries – ATEX Approved |
| 00780-A-0160 | Right Angle Mounting Bracket For Ceiling Mounting |
| 02000-A-1635 | Series 2000 Weather Housing Use With Toxic Sensor |
| 02000-A-1640 | Series 2000 Weather Housing use With Flammable Sensor |
| 02000-A-1642 | Series 2000 Collecting Cone Use With Flammable Sensor |
| 02000-A-1645 | Series 2000 Calibration Flow Housing Assembly (Flam and Toxic) |
| 02000-A-3120 | Series 2000 Flow Housing Assembly Plastic |
| 2106B1110 | Catalytic Bridge To 4-20mA Converter |
| 2106B2114 | Toxic Calibration Kit including Calibration Cover, Removal Tool, Potentiometer Adjustment Tool |
| 2106D2055 | M36 / M40 Thread Adaptor |
| 225-262-138 | Cable Gland And Caps, 20mm, Nylon |

Spares

| | |
|-----------|---|
| 2106B1545 | O ₂ Electrochemical Cell Exchange Kit |
| 2106B1546 | SO ₂ Electrochemical Cell Exchange Kit |
| 2106B1547 | Cl ₂ Electrochemical Cell Exchange Kit |
| 2106B1548 | CO Electrochemical Cell Exchange Kit |
| 2106B1549 | H ₂ S Electrochemical Cell Exchange Kit |
| 2106B1594 | NO Electrochemical Cell Exchange Kit |
| 2106B1595 | NH ₃ 0-1000ppm Electrochemical Cell Exchange Kit |
| 2106B1596 | NH ₃ 0-50ppm Electrochemical Cell Exchange Kit |
| 2106B1597 | H ₂ 0-1000ppm Electrochemical Cell Exchange Kit |
| 2106B1598 | H ₂ 0-10000ppm Electrochemical Exchange Kit |
| 2106B1599 | NO ₂ 0-10ppm Electrochemical Exchange Kit |

Calibration Equipment

Contact your local Honeywell Analytics representative for details of suitable calibration equipment

Find out more

www.honeywellanalytics.com

Contact Honeywell Analytics:

Europe, Middle East, Africa, India

Life Safety Distribution AG
Javastrasse 2
8604 Hegnau
Switzerland
Tel: +41 (0)44 943 4300
Fax: +41 (0)44 943 4398
India Tel: +91 124 4752700
gasdetection@honeywell.com

Americas

Honeywell Analytics Inc.
405 Barclay Blvd.
Lincolnshire, IL 60069
USA
Tel: +1 847 955 8200
Toll free: +1 800 538 0363
Fax: +1 847 955 8210
detectgas@honeywell.com

Asia Pacific

Honeywell Analytics Asia Pacific
#508, Kolon Science Valley (I)
187-10 Guro-Dong, Guro-Gu
Seoul, 152-050
Korea
Tel: +82 (0)2 6909 0300
Fax: +82 (0)2 2025 0329
analytics.ap@honeywell.com

Technical Services

EMEA: HAexpert@honeywell.com
US: ha.us.service@honeywell.com
AP: ha.ap.service@honeywell.com

www.honeywell.com

Sensepoint Combustible

| | |
|-----------|--|
| 2106B1200 | Sensepoint 0-100% LEL Flammable Sensor M20 |
| 2106B1201 | Sensepoint 0-100% LEL Flammable Sensor M25 |
| 2106B1202 | Sensepoint 0-100% LEL Flammable Sensor M26 |
| 2106B1203 | Sensepoint 0-100% LEL Flammable Sensor M26 (VQ1AB pellistor) |
| 2106B1204 | Sensepoint 0-100% LEL Flammable Sensor ¾"NPT |
| 2106B1205 | Sensepoint ppm (0-10% LEL) Flammable Sensor M20 |
| 2106B1209 | Sensepoint ppm (0-10% LEL) Flammable Sensor ¾"NPT |

Sensepoint Toxic

| | |
|-----------|--|
| 2106B1400 | Sensepoint H ₂ S 0-20 ppm Toxic Sensor M20 |
| 2106B1401 | Sensepoint H ₂ S 0-50 ppm Toxic Sensor M20 |
| 2106B1402 | Sensepoint H ₂ S 0-100 ppm Toxic Sensor M20 |
| 2106B1500 | Sensepoint H ₂ S 0-20 ppm Toxic Sensor M25 |
| 2106B1501 | Sensepoint H ₂ S 0-50 ppm Toxic Sensor M25 |
| 2106B1502 | Sensepoint H ₂ S 0-100 ppm Toxic Sensor M25 |
| 2106B1700 | Sensepoint H ₂ S 0-20 ppm Toxic Sensor ¾"NPT |
| 2106B1701 | Sensepoint H ₂ S 0-50 ppm Toxic Sensor ¾"NPT |
| 2106B1702 | Sensepoint H ₂ S 0-100 ppm Toxic Sensor ¾"NPT |
| 2106B1405 | Sensepoint CO 0-100 ppm Toxic Sensor M20 |
| 2106B1406 | Sensepoint CO 0-200 ppm Toxic Sensor M20 |
| 2106B1407 | Sensepoint CO 0-500 ppm Toxic Sensor M20 |
| 2106B1505 | Sensepoint CO 0-100 ppm Toxic Sensor M25 |
| 2106B1506 | Sensepoint CO 0-200 ppm Toxic Sensor M25 |
| 2106B1507 | Sensepoint CO 0-500 ppm Toxic Sensor M25 |
| 2106B1705 | Sensepoint CO 0-100 ppm Toxic Sensor ¾"NPT |
| 2106B1706 | Sensepoint CO 0-200 ppm Toxic Sensor ¾"NPT |
| 2106B1707 | Sensepoint CO 0-500 ppm Toxic Sensor ¾"NPT |
| 2106B1410 | Sensepoint Cl ₂ 0-5 ppm Toxic Sensor M20 |
| 2106B1411 | Sensepoint Cl ₂ 0-15 ppm Toxic Sensor M20 |
| 2106B1510 | Sensepoint Cl ₂ 0-5 ppm Toxic Sensor M25 |
| 2106B1511 | Sensepoint Cl ₂ 0-15 ppm Toxic Sensor M25 |
| 2106B1711 | Sensepoint Cl ₂ 0-15 ppm Toxic Sensor ¾"NPT |
| 2106B1413 | Sensepoint NH ₃ 0-50 ppm Toxic Sensor M20 |
| 2106B1414 | Sensepoint NH ₃ 0-1000 ppm Toxic Sensor M20 |
| 2106B1415 | Sensepoint NH ₃ 0-100 ppm Toxic Sensor M20 |
| 2106B1513 | Sensepoint NH ₃ 0-50 ppm Toxic Sensor M25 |
| 2106B1514 | Sensepoint NH ₃ 0-1000 ppm Toxic Sensor M25 |
| 2106B1515 | Sensepoint NH ₃ 0-100 ppm Toxic Sensor M25 |
| 2106B1713 | Sensepoint NH ₃ 0-50 ppm Toxic Sensor ¾"NPT |
| 2106B1714 | Sensepoint NH ₃ 0-1000 ppm Toxic Sensor ¾"NPT |
| 2106B1715 | Sensepoint NH ₃ 0-100 ppm Toxic Sensor ¾"NPT |
| 2106B1416 | Sensepoint H ₂ 0-1000 ppm Toxic Sensor M20 |
| 2106B1417 | Sensepoint H ₂ 0-10000 ppm Toxic Sensor M20 |
| 2106B1516 | Sensepoint H ₂ 0-1000 ppm Toxic Sensor M25 |
| 2106B1517 | Sensepoint H ₂ 0-10000 ppm Toxic Sensor M25 |
| 2106B1716 | Sensepoint H ₂ 0-1000 ppm Toxic Sensor ¾"NPT |
| 2106B1717 | Sensepoint H ₂ 0-10000 ppm Toxic Sensor ¾"NPT |
| 2106B1418 | Sensepoint NO 0-100 ppm Toxic Sensor M20 |
| 2106B1518 | Sensepoint NO 0-100 ppm Toxic Sensor M25 |
| 2106B1718 | Sensepoint NO 0-100 ppm Toxic Sensor ¾"NPT |
| 2106B1420 | Sensepoint SO ₂ 0-15 ppm Toxic Sensor M20 |
| 2106B1421 | Sensepoint SO ₂ 0-50 ppm Toxic Sensor M20 |
| 2106B1520 | Sensepoint SO ₂ 0-15 ppm Toxic Sensor M25 |
| 2106B1521 | Sensepoint SO ₂ 0-50 ppm Toxic Sensor M25 |
| 2106B1720 | Sensepoint SO ₂ 0-15 ppm Toxic Sensor ¾"NPT |
| 2106B1721 | Sensepoint SO ₂ 0-50 ppm Toxic Sensor ¾"NPT |
| 2106B1422 | Sensepoint NO ₂ 0-10 ppm Toxic Sensor M20 |
| 2106B1522 | Sensepoint NO ₂ 0-10 ppm Toxic Sensor M25 |
| 2106B1722 | Sensepoint NO ₂ 0-10 ppm Toxic Sensor ¾"NPT |
| 2106B1430 | Sensepoint O ₂ 25% V/V Toxic Sensor M20 |
| 2106B1530 | Sensepoint O ₂ 25% V/V Toxic Sensor M25 |
| 2106B1730 | Sensepoint O ₂ 25% V/V Toxic Sensor ¾"NPT |

Please Note:

While every effort has been made to ensure accuracy in this publication, no responsibility can be accepted for errors or omissions. Data may change, as well as legislation, and you are strongly advised to obtain copies of the most recently issued regulations, standards, and guidelines. This publication is not intended to form the basis of a contract.

H_Sensepoint_DS01069_V6_EMEA1
09/12

© 2012 Honeywell Analytics

Honeywell

DASTEC S.R.L.

Distribuidores Autorizados

Buenos Aires, Argentina

Tel.: (54-11) 5352-2500

E-mail: info@dastecsr.com.ar

Web: www.dastecsr.com.ar